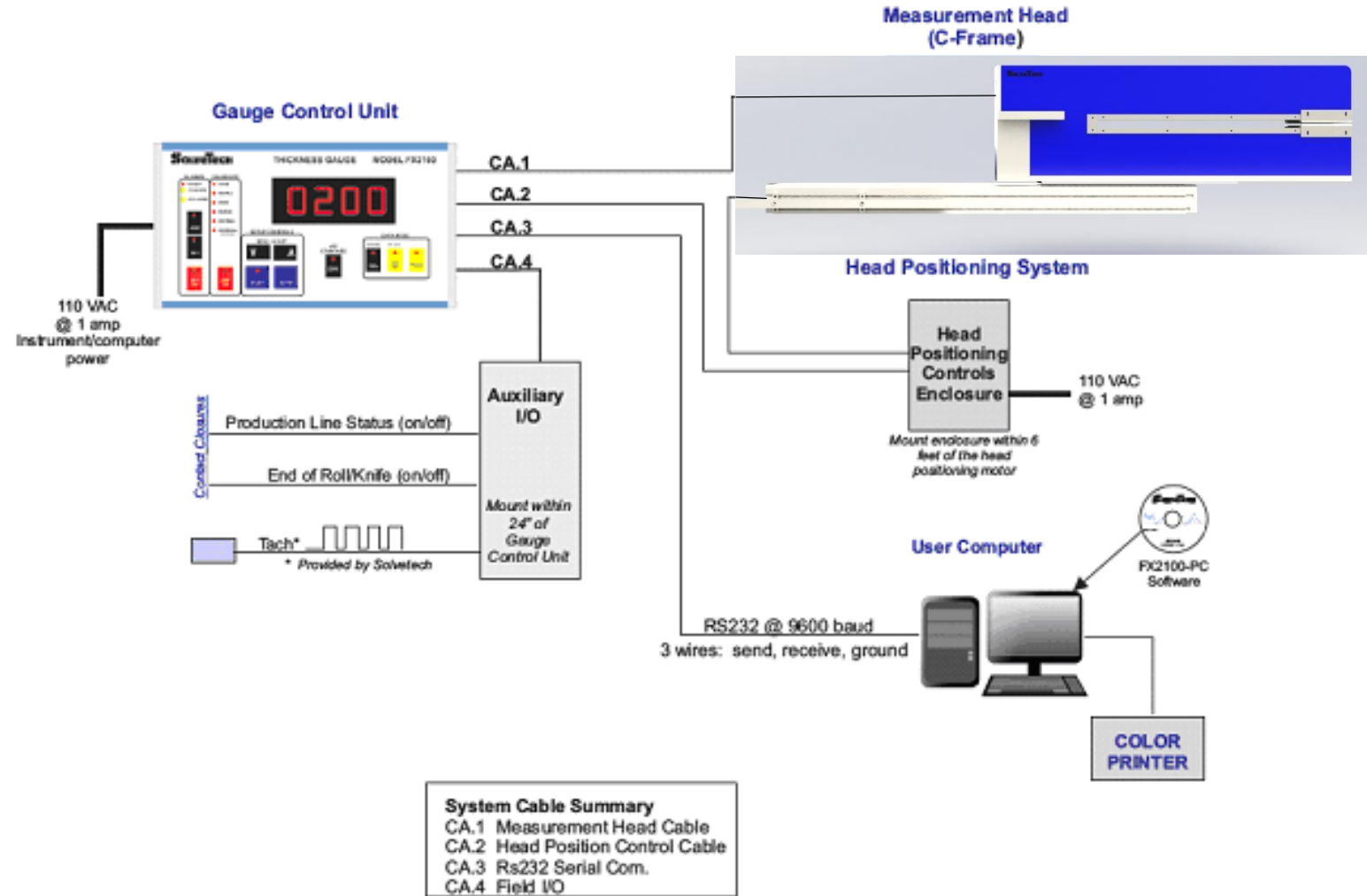


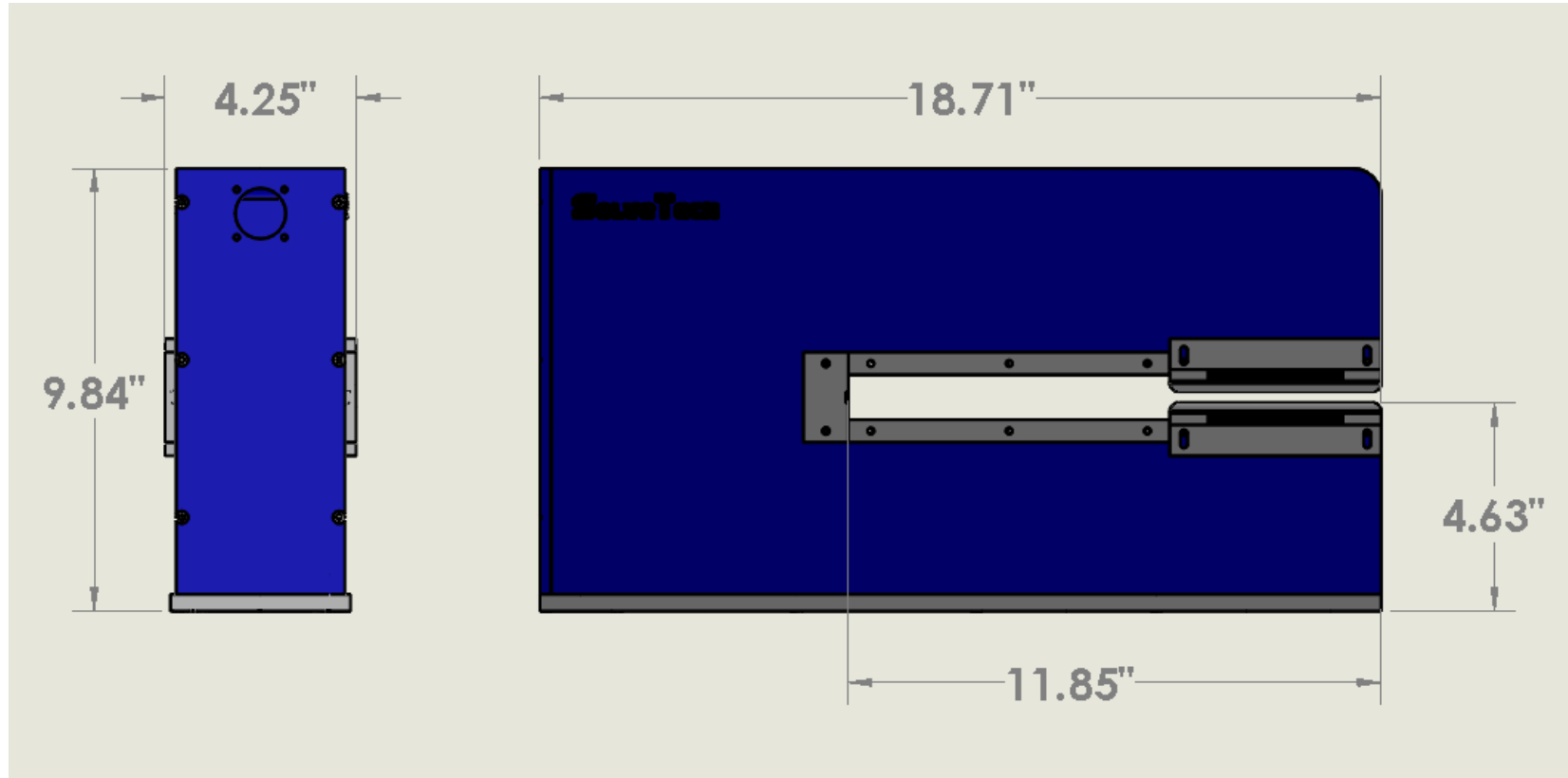
# Technical Specifications- The MD1000/MD2000

Category	Technical Spec	Comments
Technology	SolveTech's proprietary capacitance technology	Non hazardous, low voltage electric field
Precision	0.01 mils (0.25 Micron) or better	Typically 1% to 0.1% of material thickness. Higher and lower precision is possible depending on measurement footprint design (Market Leading)
Material Thickness Range	0.1 to 80 Mils (2.5 to 2032 micron)	Customizable – Can handle up to ½" thick materials
Power Requirements	110V 60Hz Standard/220V Available	All international frequencies and voltages available
Measurement Footprint	3 inch in the cross web, 1 inch in the machine direction	Optimized for high MD resolution (Market Leading)
Throat depth	MD1000: 11.75" MD2000: 23.35"	
Data Collection Speed	100 Times/Second (100 Hz)	At advertised precision (Market Leading)
Measurement Head Dimensions	MD1000: 4.25" Wide x 10" Tall x 18.75" Long MD2000: 4.25" Wide x 10.7" Tall x 32.5" Long	
Linearity	+/- 0.1%	(Market Leading)
Stability	Stable year after year, no recalibration required	(Market Leading)

# System Overview- MD1000/MD2000



# MD1000 Dimensions



# MD2000 Dimensions

